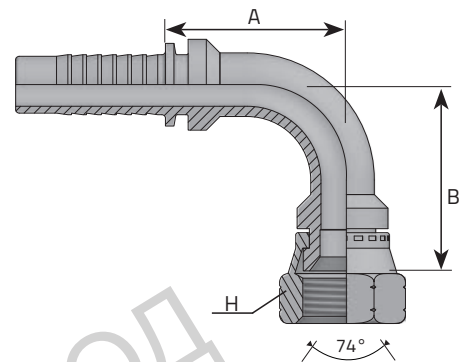




JIC 37° FEMALE - 90° ELBOW (2)

FEMMINA 90° JIC SV 37°
 FEMELLE 90° JIC CÔNE 37°
 DKJ 90° BOGEN 37° JIC DICHTKOPF (UNF)
 HEMBRA GIRATORIA A 90° JIC CONO 37°



Code	Tube		Thread		Dimensions			Pressure		
	D.N.	Hose	Diam	T	t/1"	H	B	A	Bar	Psi
	Inch		mm	Inch		mm	mm	mm		
F90J1012	-10	5/8"	16	1.1/16"	12	32	55	49	200	2901
F90J1210	-12	3/4"	19	7/8"	14	27	58	53.5	200	2901
F90J1212	-12	3/4"	19	1.1/16"	12	32	58	53.5	200	2901
F90J1214	-12	3/4"	19	1.3/16"	12	36	61	53.5	160	2320
F90J1216	-12	3/4"	19	1.5/16"	12	41	62.5	53.5	160	2320
F90J1612	-16	1"	25.4	1.1/16"	12	32	80	69	200	2901
F90J1616	-16	1"	25.4	1.5/16"	12	41	69.5	73	160	2320
F90J1620	-16	1"	25.4	1.5/8"	12	50	78.5	73	125	1813
F90J2020	-20	1.1/4"	31.8	1.5/8"	12	50	91.5	89	125	1813
F90J2024	-20	1.1/4"	31.8	1.7/8"	12	55	99	89	100	1450
F90J2424	-24	1.1/2"	38.1	1.7/8"	12	55	112.5	101	100	1450